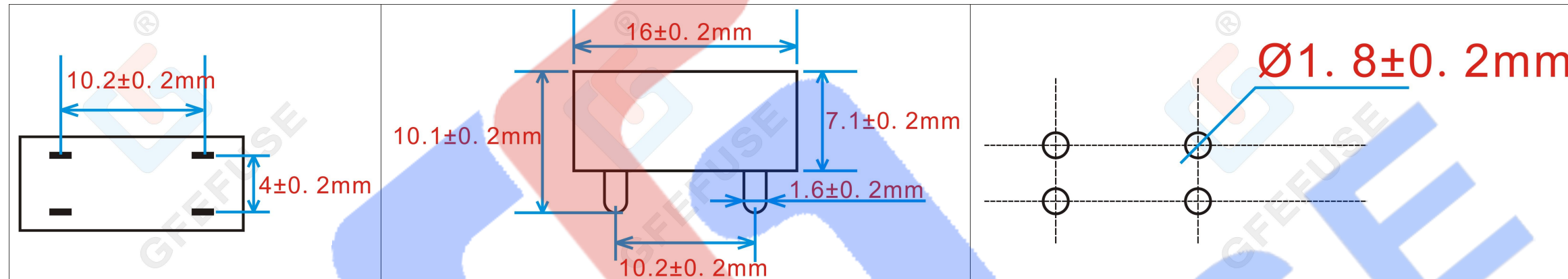


(GF-C41)automobile fuse Holder

1. Dimensions (mm)



2. product introduction

1.material: Contacts--brass, T=0.4mm

2. Insulator--Glass Filled PBT, 94-V0;

3.terminal finish: Tin plated;

4..removed burrs and sharp edge.

5. MINI auto plug fuse

6.Suitable rated current: 30A@500VAC

7.Insertion and extraction force: 1Kg Min

8.Dielectric Strength: Min.AC1000V

9.Contact Resistance: Max 50m $\omega$ .

10.temperature rise: 50° Max.

11.Insulation Resistance At 500V DC: 100M $\omega$

12.product model GF-C41(Brand GFEFUSE GongFu)